

EA-60X Agricultural Spraying Drone

Material Manual



3WWDZ-45A

Intelligent Quadrotor Agricultural Spraying Drone

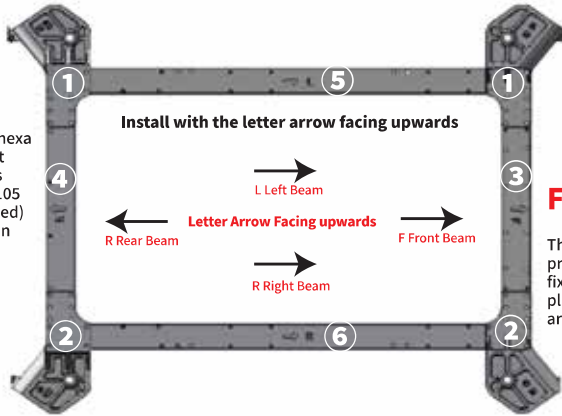
Suzhou EAVISION Robotic Technologies Co., Ltd.

Frame

M3 (CCW)

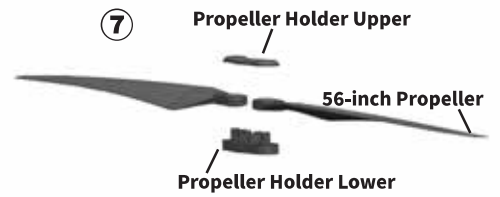
M2 (CW)

10 PCS of hexagon socket head bolts (M4*14, Y105 00382, glued) are used on each side.



Front

The internal limited position protrusions of the left and right folding fixtures need to be confirmed to be in place and not lifted when the fixtures are assembled with the beams.

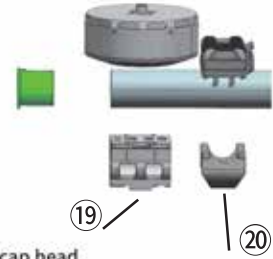
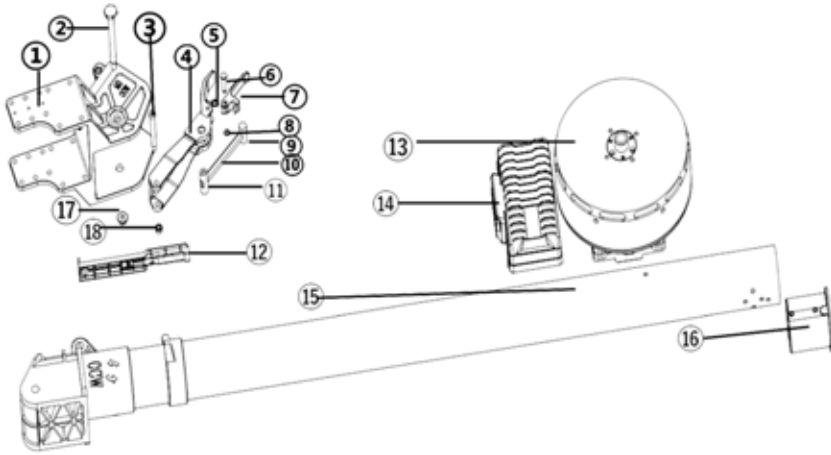


M4 (CW)

M1 (CCW)

No	Part No.	Name
①	Y10100960	Left Folding Fixture
②	Y10100961	Right Folding Fixture
③	Y10100962	Front Beam
④	Y10100963	Rear Beam
⑤	Y10300126	Left Beam
⑥	Y10300127	Right Beam
⑦	Y10300118	CCW Propeller Set
	Y10300119	CW Propeller Set
	Y10300125	CW Propeller Set (no Holder)
	Y10300124	CCW Propeller Set (no Holder)

Arm Assembly



Hexagon socket cap head screws (M5*16, Y10500374 , glued) and stainless steel hexagon socket head bolts (M 4*10, Y10500146, **glued**) are used to fix the motor base.

4 PCS of hexagon socket cap headscrews (M3*8) are used to fix ESC Fixing base.

No.	Part No.	Name
①	Y10100960/Y10100961	Left / Right Folding Fixture Connecting Frame
②	Y10100959	Arm Folding Shaft
③	Y10100674	Fixture Shaft Shoulder
④	B10000111	Folding Lock Buckle
⑤	Y10100957	Anti-loosening Torsion Spring
⑥	Y10500379	M4 Cylindrical Pin
⑦	Y10100956	Anti-loosening Locking Hook
⑧	Y0500380	M4e Circlip retaining ring
⑨	Y10100677	Lock Buckle Shaft
⑩	Y10100057	Connecting Rod
⑪	Y10100058	Rotating Part Shaft
⑫	Y10200741	Magnetic Pressure Plate
⑬	Y20800143	CCW Motor Set (M1M3)
⑬	Y20800144	CW Motor Set (M2M4)
⑭	Y20501450	CCW ESC (M1M3)
⑭	Y20501451	CW ESC (M2M4)
⑮	Y10300122	Arm Carbon Tube Assembly
⑯	Y30100127	Motor Base Positioning Liner
⑰	Y10500381	Flange Locking Nut M6
⑱	Y10500015	Anti-loosening Nut M4
⑲	Y10100952	Motor Base
⑳	Y10100951	ESC Fixing Base

Landing Gear

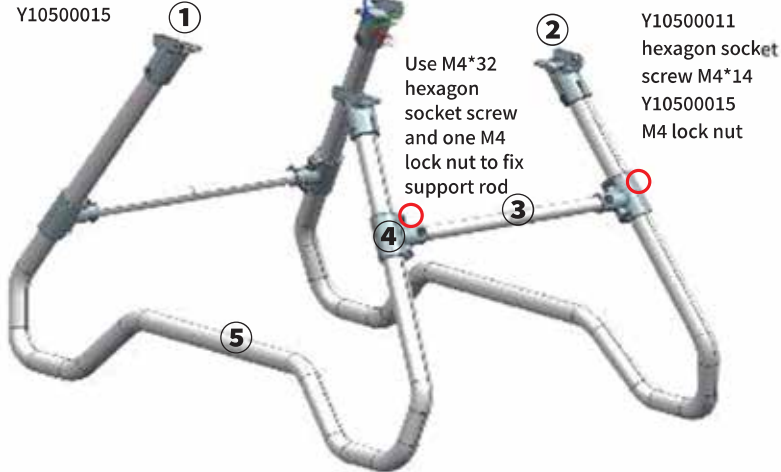
Lock with beam

Y10500146

hexagon socket screw M4*12

hexagonsocket screw M4*45

Y10500015



Use M4*32
hexagon
socket screw
and one M4
lock nut to fix
support rod

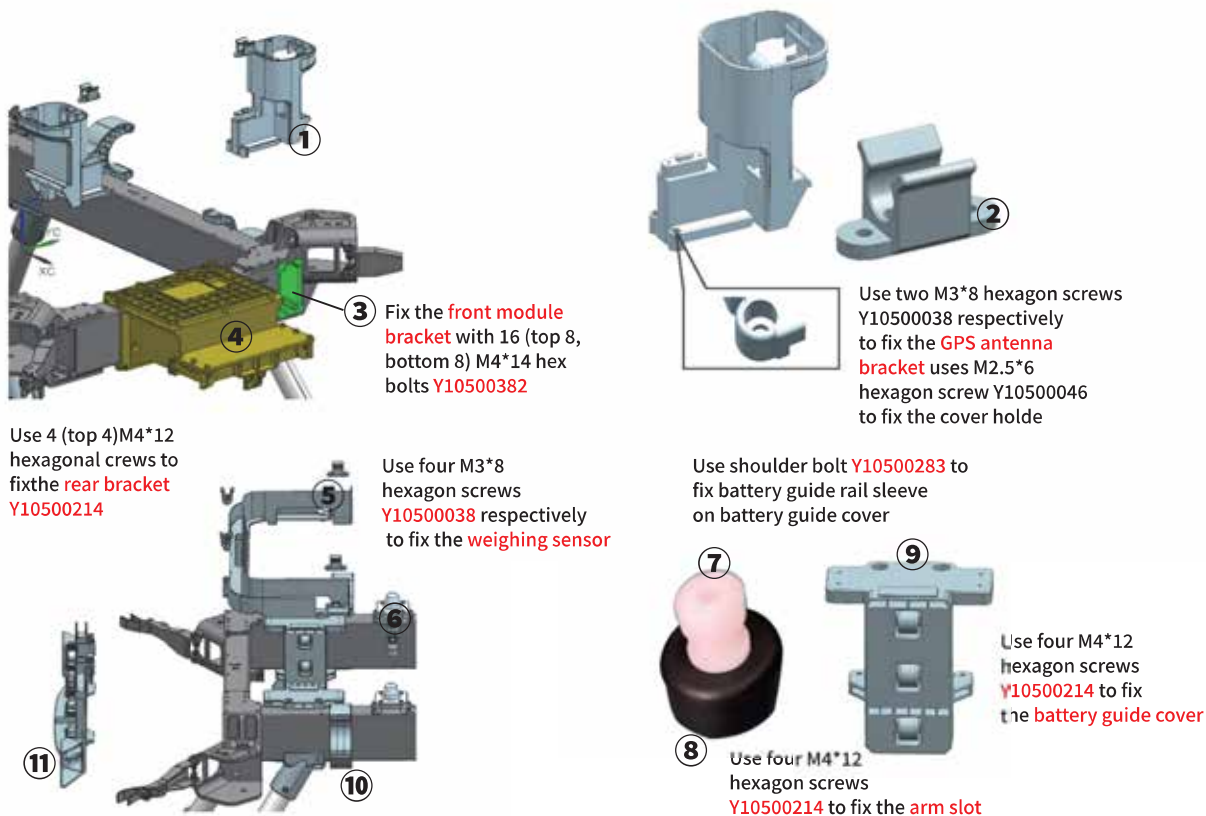
Y10500011
hexagon socket
screw M4*14
Y10500015
M4 lock nut



Hexagon socket screw
Y10500 383 and one M4
lock nut Y10500015 to fix
360 rader bracket (**Manually
black the front radar screws**)

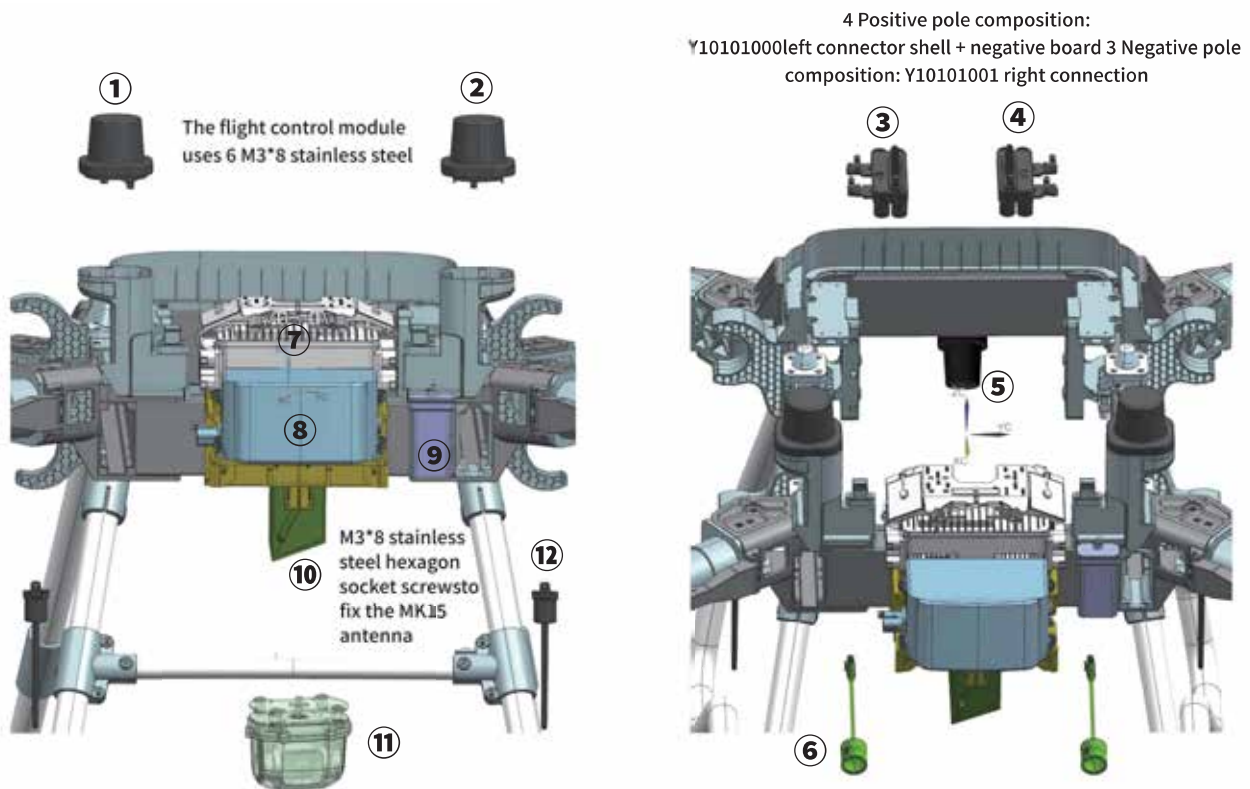
No.	Part No.	Name
①	Y10100965	Landing gear mounting seat I
②	Y10100968	Landing gear mounting seat II
③	Y10100967	Foot support rod
④	Y10100966	Support rod fixing seat
⑤	Y10100964	Landing gear
⑥	Y10100948	360 Radar bracket

Beam



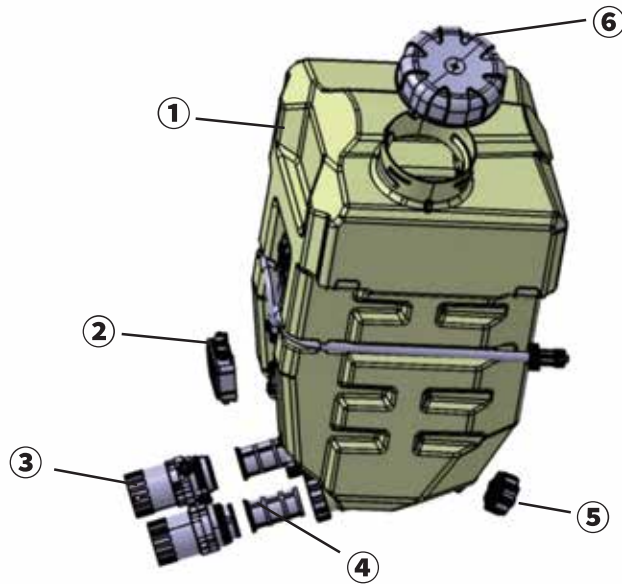
No.	Part No.	Name
①	Y10200795	GPS antenna bracket
②	Y10200597	Cover holder
③	Y10200743	Longitudinal beam guard plug
④	Y10200750	Front module bracket
⑤	Y10200753	Rear bracket
⑥	B20100245	Weighing sensor module
⑦	Y10200745	Battery guide rail sleeve
⑧	Y10200746	Rubber ring for battery guide rail
⑨	Y10200744	Battery guide cover
⑩	Y10200742	Arm slot
⑪	Y10100971	Rear wiring harness bracket

Module



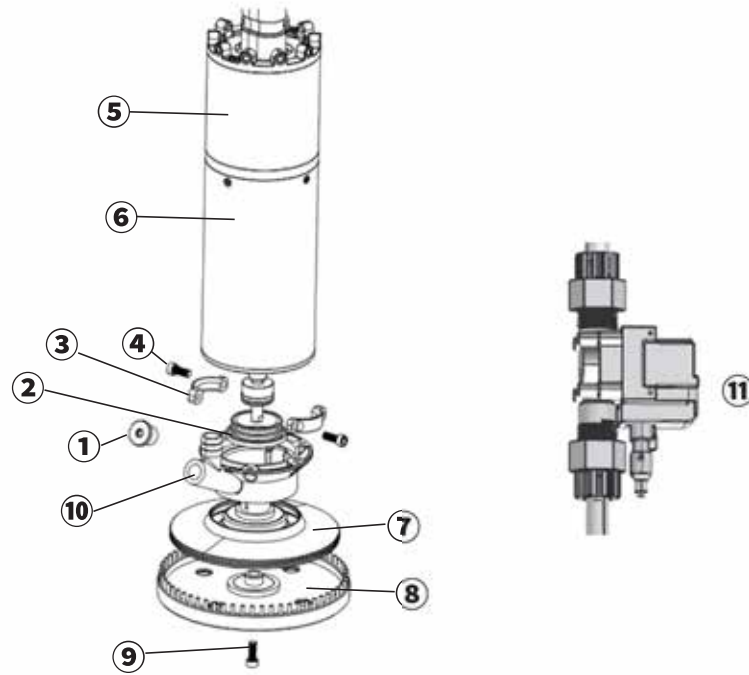
No.	Part No.	Name
①	B10000102	Secondary antenna
②	B10000101	Main antenna
③	Y20600356	Negative board
④	Y20600357	Positive plate
⑤	Y20100054	360 radar
⑥	B20100253	Front light
⑦	B20100251	Flight control
⑧	Y20100053	Front lidar
⑨	B20100252	Backup battery
⑩	Y20100052	Downward lidar
⑪	B20100250	FPV
⑫	B10000106	2.4G antenna

Water Tank



No.	Part No.	Name
①	Y10200785	Water Tank 45L
②	Y20800156	Ultrasonic Flow Meter
③	B20100254	Vane Pump
④	Y10100984	Water Tank Bottom Filter
⑤	Y10200786	Water Tank Drain Outlet Outer Sealing Nut
⑥	Y10200789	Water Tank Cover
⑦	Y10200761	Pump Outlet Pipe Left
⑧	Y10200764	Flow Meter Outlet Pipe Right
⑨	Y10200763	Flow Meter Outlet Pipe Left
⑩	Y10200762	Pump Outlet Pipe Right
⑪	Y10100605	Water Tank Upper Filter
⑫	Y10100606	Filter Handle

Nozzle



No.	Part No.	Name
①	Y10500396	Hexagon socket screw M8x1
②	Y10100915	Rotating ring
③	Y10100975	Rotary table clamp (2pcs)
④	Y10500395	Hexagon socket screw M3x8 (2pcs)
⑤	B20100246	Nozzle electronic speed controller
⑥	Y20800145	Nozzle Moter
⑦	Y10200777	Rotary table assembly
⑧	Y10200776	Rotating gear assembly
⑨	Y10500038	hexagon socket screw M3x8
⑩	Y10200781	Water inlet
⑪	B20100247	Solenoid valve assembly
⑫	Y10100914	Gear ring
⑬	B10000104	Nozzle and bracket assembly

Part No.	Name	Purpose
Y10500011	Internal hexagonal cylindrical head bolt M4x14	/
Y10500038	Hexagonal socket head screw M3x8	ESC Seat/Ground radar/GPS/Weight sensor/ Main control/Mk15 antenna/360 radar/ Forward radar
Y10500107	Hexagon socket cylindrical head screw M3 * 10	Water tank assembly
Y10500156	M4 hex socket screw	Rear bracket assembly
Y10500036	Hexagonal socket head screw M3x6	Electromagnetic valve
Y10500069	Flat gasket M3	Water tank assembly/solenoid valve
Y10500142	M4 hex socket screw	Complete machine
Y10500015	Anti loosening nut M4	Support rod fixing seat/landing gear mounting seat
Y10500046	Hexagonal socket head cap screw M2.5x6	Backup battery cover/nozzle mounting bracket
Y10500122	M2 cross round head screw	Complete machine
Y10500384	Internal hexagonal cylindrical head bolt M4x40	Foot stand installation seat
Y10500386	Flat head cross screw M2x5	FPV
Y10500394	Hexagonal countersunk head screw M4x10	/
Y10500387	M3 plug bolt	/
Y10500420	Internal hexagonal combination bolt M6x20	Motor AssemblyV5.0
Y10500258	Plug bolt	Battery positive and negative plates
Y10500374	Internal hexagonal screw M5x16-12.9	Motor Setv5.0
Y10500381	Flange locking nut M6	Arm folding shaft
Y10500146	M4 * 10 stainless steel hexagonal bolt	Motor setV5.0/Nozzle set/Lower cover body
Y10500214	M4 * 12 stainless steel hexagonal cylindrical head screw	Arm card slot/battery guide rail/rear wiring harness bracket/rear wall bracket
Y10500383	M4 * 32 stainless steel hexagonal cylindrical head bolt	Support rod fixing seat/360 radar bracket
Y10500278	M4 * 16 hex socket bolt	Propeller assembly
Y10500382	M4 * 14, Dacromet hexagon socket bolt	Folding fastener V5.0/Support rod fixing seat Foot frame mounting seat/Front module bracket

Other Materials

Part No.	Name	Picture
Y10100958	Magnet	
Y10100970	Navigation light pressure board	
Y10100972	Quick release slider for nozzle	
Y10100973	Nozzle installation buckle	
Y10101026	Secondary locking spring	
Y10100983	Anti-lost rope for water tank cover	
Y10100985	2.4G antenna mount base	
Y10101000	Left connector shell	

Other Materials

Part No.	Name	Picture
Y10101001	Right connector shell	
Y10200401	Rear distribution board shock absorbing ball	
Y10200413	Water tank upper cover pressure relief valve	
Y10200511	Gasket (bottom water tank)	
Y10200595	Shell buckle	
Y10200715	4PIN cable end male rubber shell	
Y10200716	Terminal	
Y10200738	Rubber gasket M3	

Other Materials

Part No.	Name	Picture
Y10200739	Front lidar cover	
Y10200740	Lock buckle rubber sleeve	
Y10200747	Battery guide rubber seat	
Y10200748	Front lower cover body	
Y10200751	Front cover	
Y10200752	Rear cover	
Y10200754	Motor base shell	
Y10200756	Pipe connection screws	

Other Materials

Part No.	Name	Picture
Y10200759	Quick screw	
Y10200760	Three-terminal connector	
Y10200767	Solenoid valve water inlet pipe	
Y10200769	Solenoid valve end water pipe protection bellows	
Y10200775	Nozzle mounting bracket	
S10000113	Nozzle turntable assembly	
Y10200787	Water pump inlet external sealing nut	/
Y10200788	Water tank connector buckle	




Other Materials

Part No.	Name	Picture
Y10200790	Water tank upper cover gasket	
Y10200791	Filter gasket	
Y10200810	Backup battery cover	
Y10200811	Backup battery box	
Y10200812	Backup battery sealing gasket	
Y10200813	R type cable clamp	
Y10200832	Charging port waterproof plug	
Y10200897	Solenoid valve outlet pipe	

Other Materials

Part No.	Name	Picture
Y10200901	Tripod buffer rubber block	/
Y10300116	CCW motor set	
Y10300117	CW motor set	
Y20300016	Backup battery& cable&battery cover	
Y20400051	GPS main antenna	
Y20400052	GPS secondary antenna	
Y20700512	Spray cable	
Y20700525	Backup battery connection cable	/





Other Materials

Part No.	Name	Picture
Y20700526	FPV cablet	
Y20700527	Front and rear arm harnesses	
Y20700528	Weight sensor cable	
Y20700529	Radar debugging signal cable	
Y20700530	Right beam signal cable	
Y20700531	Left beam signal cable	
Y20700532	Spray adapter cable	
Y20700533	Power supply signal cable	

Other Materials

Part No.	Name	Picture
Y20700534	Front arm power supply cable	
Y20700535	Rear arm power supply cable	
Y10200776	Rotating gear assembly	
Y102000774	Weight sensor rubber sleeve	/
Y20400053	2.4G antenna assembly	/
Y20600329	Distribution board on the left side of the flight control module	/
Y20600331	Distribution board on the right side of the flight control module	/
Y20400054	4G antenna	/
Y20400055	WIFI antenna	/
Y10200801	Flight control module antenna bracke	/
Y20300018	Single cooling fan	/

Accessory Equipment

Serial No.	Name	Picture
c90000081	Cooling Charger	
B20100258	Smart Battery	
B20100257	Remote Controller	
C20000018	"Super Link" Communication Repeater	
C70000024	Surveying Tool (Separate shipment)	
C70000024	Tripod	

60X Configuration

Part No.	Name	Specifications	Picture
C10000158	Standard Pckage	CCMS mist nozzles*2 45LLiquid Tank*1 Front ALS Lidar *1 Downward ALS Lidar*1 360°4D imaging radar*1 7"LCD Remote control*1	
C90000079	70L Granule Spreader Tank	70L Granule Spreader Tank*1	
C90000088	CTB shell-core integrated supercharged battery	9000W Cooling Charger*1	
B20100258	9000W Cooling Charger	CTB shell-core integrated supercharged battery *1	
C90000094	Comprehensive accessory package (without Super Link)	RTK tripod *1 Survey tool*1 Super Link*1	
C90000093	Comprehensive accessory package (with Super Link)	RTK tripod *1 Survey tool*1 Super Link*1	

Contact Us



The contents of this manual and product specifications are subject to change without prior notice.

Suzhou EAVISION Robotic Technologies Co., Ltd.

Address: Room 504&505, Building 2, Nanopolis District II, No.333, Xingpu Road, SIP Suzhou, Jiangsu, China

Website: www.eavisionag.com